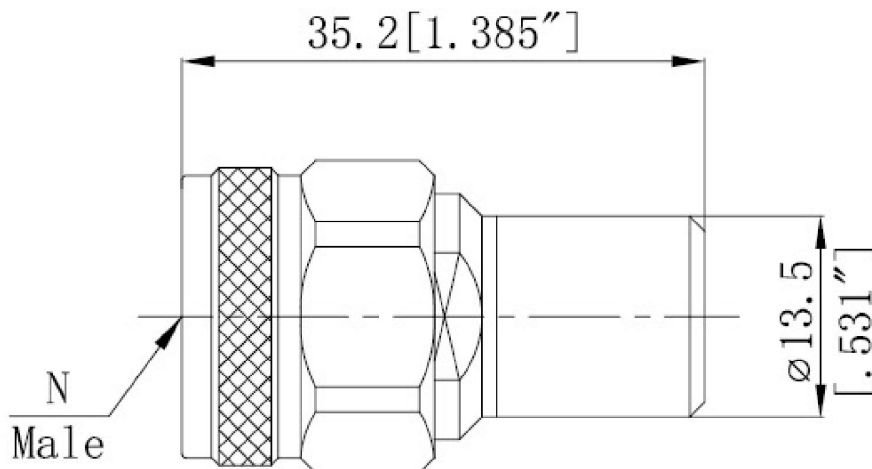


射频同轴负载/ RF Coaxial Termination

XQY-NJL06-3W-GD

项目 Project	指标 Indicators
产品名称 Product Name	射频同轴负载/RF Coaxial Load
频率范围 Frequency Range	DC-6 GHz
驻波比 VSWR	1.15:1 (max)
阻抗 Impedance	50 Ω
功率 Power	3W
介质耐电压 Dielectric withstand voltage	1000 V
使用寿命 Service life	≥ 500
绝缘电阻 Insulation Resistance	$\geq 5000M\Omega$
接头类型 connector type	N-Male
工作温度 Operation Temperature	-55°C ~ +125°C
内导体材质 Inner conductor material	铍青铜 镀金 Beryllium bronze Gold plating
外导体材质 External conductor material	不锈钢 钝化 Stainless steel passivation
螺套材质 Material of screw sleeve	黄铜 镀三元合金 Brass plated ternary alloy
绝缘体 Insulator	PTFE

型号 Model	频率范围 Frequency Range	驻波比 VSWR	功率 Power
XQY-NJL03-3W-GD	DC-3GHz	≤ 1.10	3W
XQY-NJL18-3W-GD	DC-18GHz	≤ 1.25	3W



注: 尺寸(mm/[英寸]), 一般公差(± 0.05)

Note: Dimensions (mm / [inch]), General tolerance (± 0.05)