

4

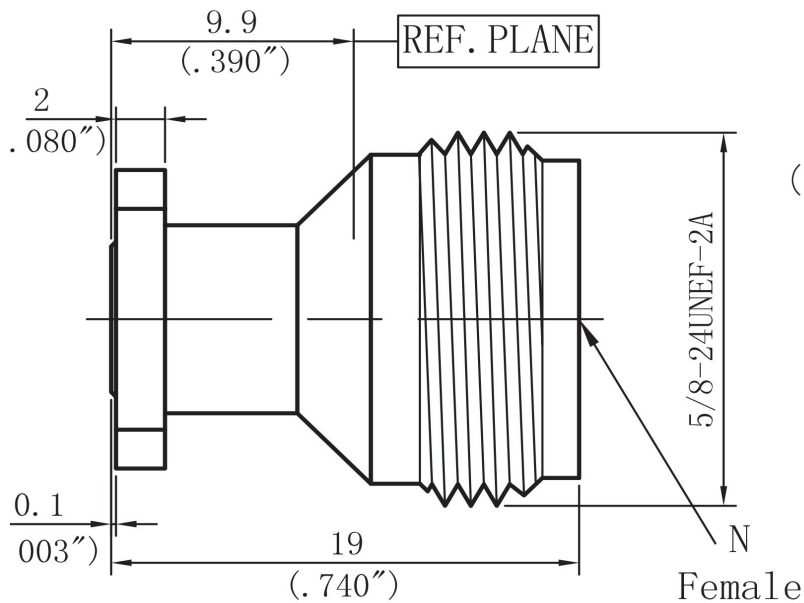
3

2

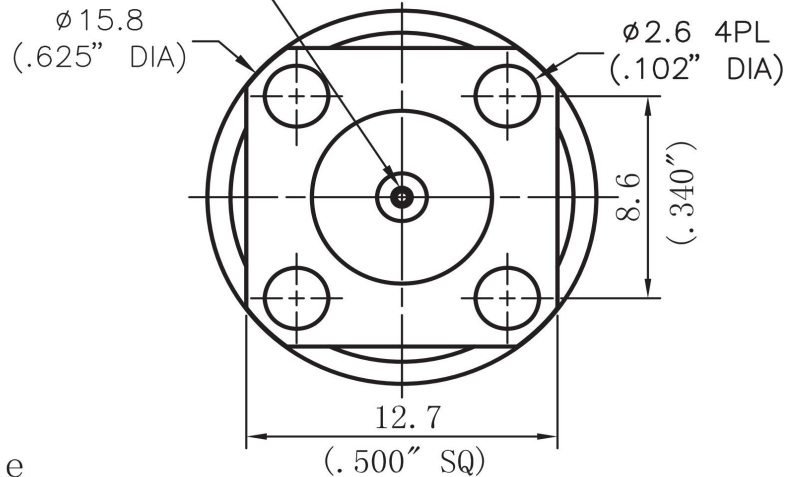
1

THIS DRAWING UNPUBLISHED.	RELEASED FOR PUBUCATION
---------------------------	-------------------------

LOC	DIST	REVISIONS				
---	---	P	LTR	DATE	DWN	APVD
---	---	---	---	---	---	---



SOCKET TO ACCPET ØD PIN
2.5(.098") MAX DEPTH



NOTES:

1.ELECTRICAL:

- 1.1 IMPEDANCE: 50Ω
- 1.2 INSULATION RESISTANCE:5000M Ω
- 1.3 FREQUENCY RANGE: DC-18 GHz
- 1.4 DIELECTRIC WITHSTANDING VOLTAGE:
1000V MAX AT SEA LEVEL
- 1.5 VSWR:
≤1.15:1
- 1.6 INSERTION LOSS: 0.20dB (MAX)

2.ENVIRONMENTAL:

- 2.1 TEMPERATURE RANGE: -55° to +165°

3.MATERIAL AND FINISH:

- 3.1 INNER CONDUCTOR MATERIAL:
BERYLLIUM BRONZE GOLD PLATING
- 3.2 EXTERNAL CONDUCTOR MATERIAL:
STAINLESS STEEL PASSIVATED
- 3.3 INSULATOR: PTFE

MODEL	Jack diameter ØD	MODEL	Jack diameter ØD
XQY-NTFS45F01-M	0.46mm/0.018"	XQY-NTFS51F01-M	0.51mm/0.020"
XQY-NTFS91F01-M	0.91mm/0.036"		
Accept custom sizes and styles			

THIS DRAWING IS A CONTROLLED DOCUMENT		21/10/2021	Shenzhen xinqiyuan Technology Co., Ltd.	
		CHK		
DIMENSIONSMM		TOLERANCES UNLESS OTHERWISE SPECIFIED: ±0.1 Note: Dimensions (mm / [inch])	APVD	NAME N Female RF Coaxial Connector Detachable
			APPLICATION SPEC	
			WEIGHT	SIZE A4
				CAGE CODE 01021
				DRAWING NO XQY-NTFS45F01-M

4

3

2

1